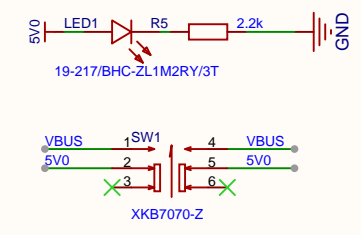
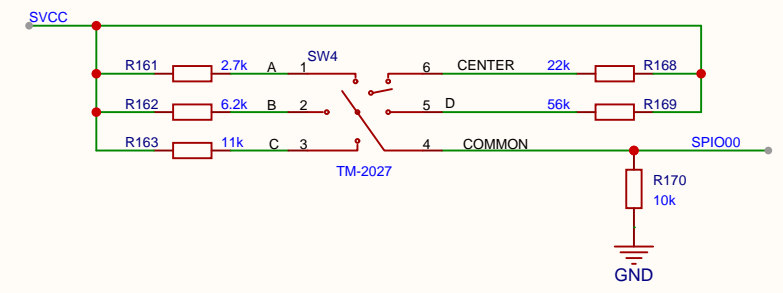
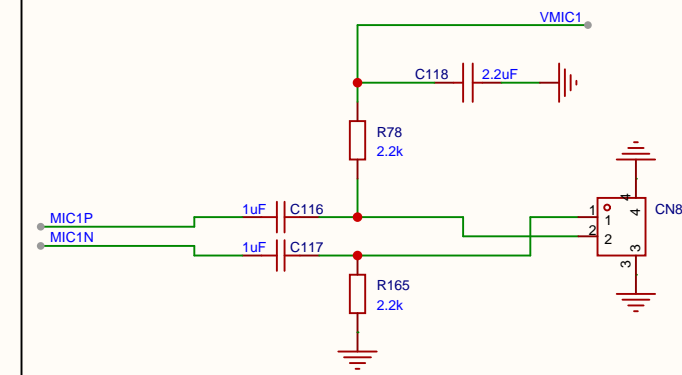


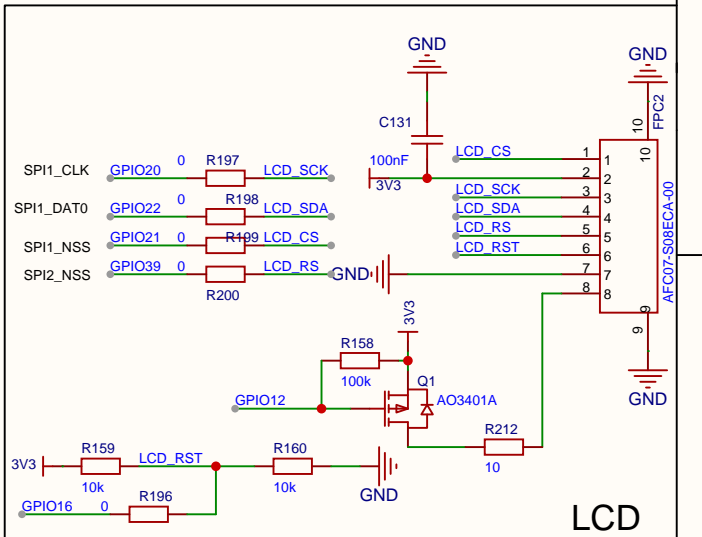
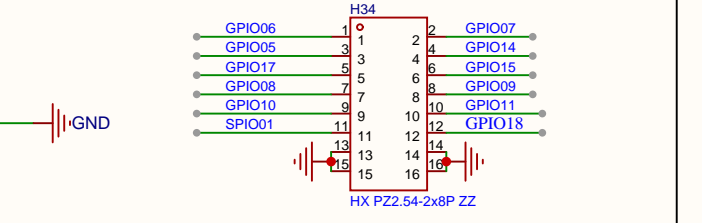
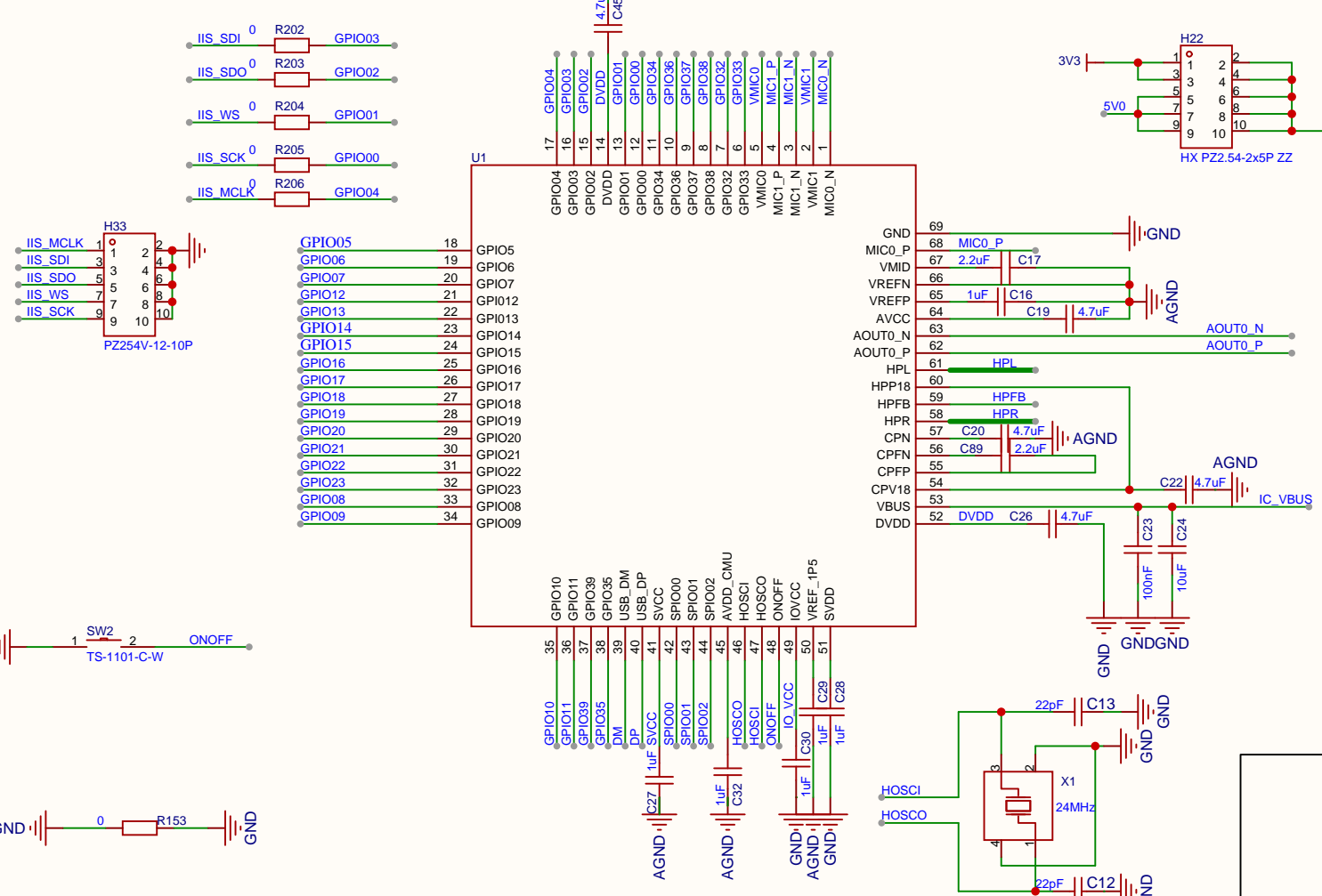
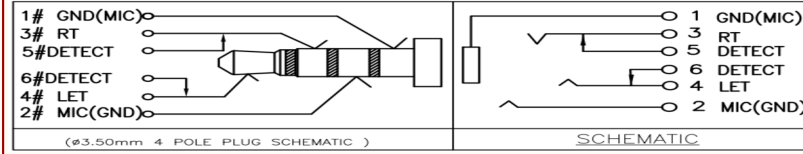
电源开关



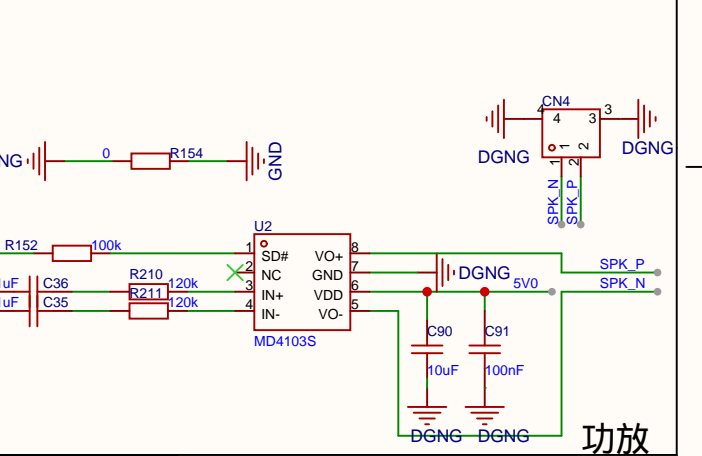
驻极体MIC



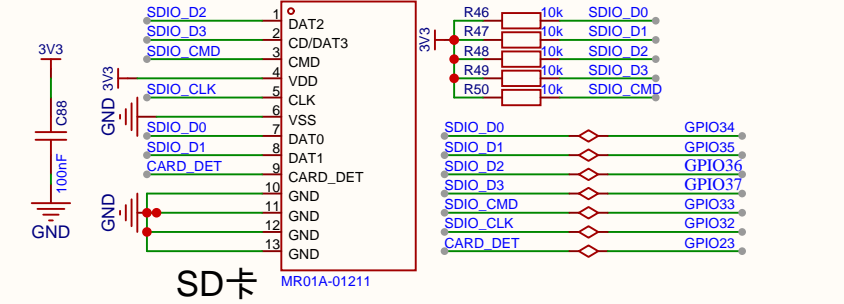
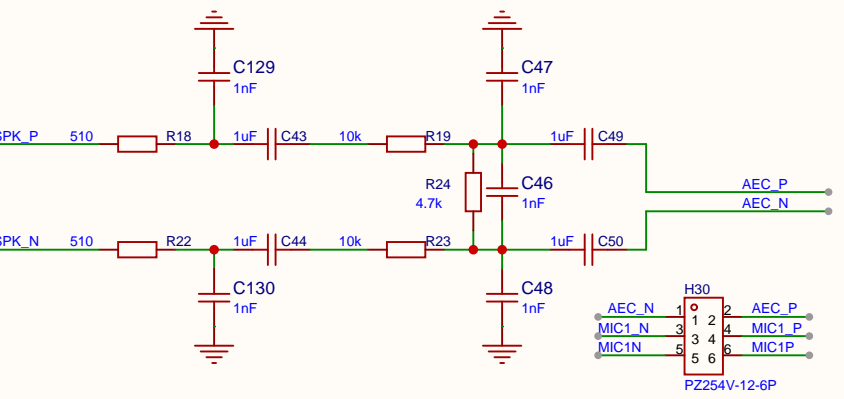
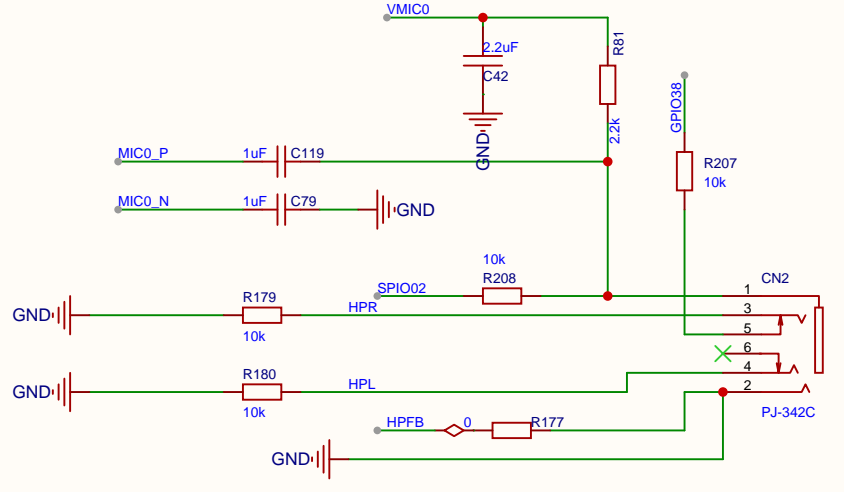
4段美标耳机, 3段耳机 耳机接口 (美标耳机)



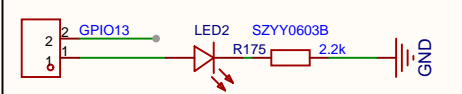
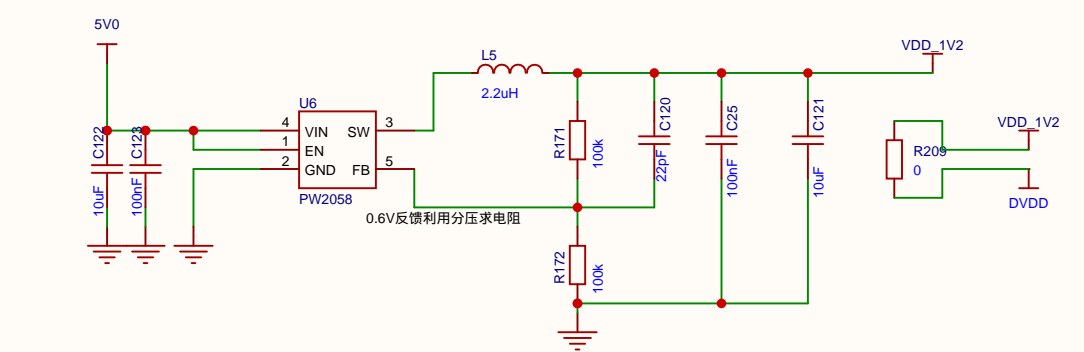
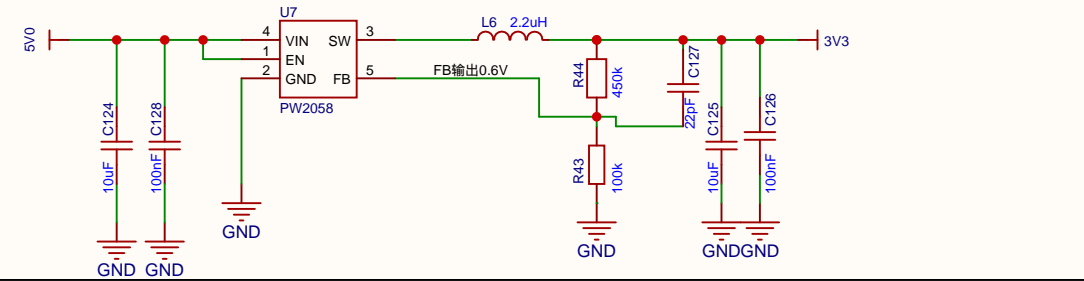
LCD



功放



SD卡



原理图	SPVXXXX_demo	更新日期	2026-03-10
图页	原理图	创建日期	2025-09-30
绘制	SPVXXXX_system_reference_design_release		
审阅			
版本	V1.0	尺寸	A4
页	1	共	2
嘉立创EDA			

PAD_NAME	FUN0	FUN1	FUN2	FUN3	FUN4	FUN5	FUN6	FUN7	FUN8	FUN9
GPIO00	GPIO00	SPI0_SCK	NOR0_SCK	UART0_TXD	I2C0_SCL	DMIC0_CLK	I2S0_SCK	SDC_CLK		PWM0
GPIO01	GPIO01	SPI0_NSS	NOR0_NSS	UART0_RXD	I2C0_SDA	DMIC0_DAT	I2S0_WS	SDC_CMD		PWM1
GPIO02	GPIO02	SPI0_DAT0	NOR0_DAT0	UART1_TXD	UART0_CTS	I2S0_SDI	I2S0_SDO	SDC_DAT0		PWM2
GPIO03	GPIO03	SPI0_DAT1	NOR0_DAT1	UART1_RXD	UART0_RTS	I2S0_SDO	I2S0_SDI	SDC_DAT1		PWM3
GPIO04	GPIO04	SPI0_DAT2	NOR0_DAT2	UART2_TXD	UART1_CTS	DMIC1_CLK	I2S1_SCK	SDC_DAT2	SPI0_SCK	PWM4
GPIO05	GPIO05	SPI0_DAT3	NOR0_DAT3	UART2_RXD	UART1_RTS	DMIC1_DAT	I2S1_WS	SDC_DAT3	SPI0_NSS	PWM5
GPIO06	GPIO06	SPI0_NSS	UART0_RXD	UART0_TXD	I2C0_SCL	I2S0_SDI	I2S1_SDO	SDC_CLK	SPI0_DAT0	PWM6
GPIO07	GPIO07	SPI0_NSS	UART0_TXD	UART0_RXD	I2C0_SDA	I2S0_SDO	I2S1_SDI	SDC_CMD	SPI0_DAT1	PWM7
GPIO08	GPIO08	SPI1_SCK	UART1_RXD	UART1_TXD	I2C1_SCL	IRTX_DAT	I2S0_SCK	SDC_DAT0		PWM0
GPIO09	GPIO09	SPI1_NSS	UART1_TXD	UART1_RXD	I2C1_SDA	IRRX_DAT	I2S0_WS	SDC_DAT1		PWM1
GPIO10	GPIO10	SPI1_DAT0	UART2_RXD	UART2_TXD	SDC_DET	IRTX_DAT	I2S0_SDO	SDC_DAT2	PWMC0	PWM2
GPIO11	GPIO11	SPI1_DAT1	UART2_TXD	UART2_RXD	SDC_WPR	IRRX_DAT	I2S0_SDI	SDC_DAT3	PWMC1	PWM3
GPIO12	GPIO12	SPI1_DAT2	IRTX_DAT		UART2_CTS	IRRX_DAT	I2S1_SCK	SDC_CLK	PWMC2	PWM4
GPIO13	GPIO13	SPI1_DAT3	IRTX_DAT		UART2_RTS	IRRX_DAT	I2S1_WS	SDC_CMD	PWMC3	PWM5
GPIO14	GPIO14	SPI2_SCK	UART0_RXD	UART0_TXD	I2C0_SCL	DMIC2_CLK	I2S1_SDO	SDC_DAT0	PWMC4	PWM6
GPIO15	GPIO15	SPI2_NSS	UART0_TXD	UART0_RXD	I2C0_SDA	DMIC2_DAT	I2S1_SDI	SDC_DAT1	PWMC5	PWM7
GPIO16	GPIO16	SPI2_DAT0	UART1_RXD	UART1_TXD	I2C1_SCL	DMIC3_CLK	I2S0_SCK	SDC_DAT2		PWM0
GPIO17	GPIO17	SPI2_DAT1	UART1_TXD	UART1_RXD	I2C1_SDA	DMIC3_DAT	I2S0_WS	SDC_DAT3		PWM1
GPIO18	GPIO18	SPI2_DAT2	UART2_RXD	UART2_TXD	UART0_CTS	DMIC0_CLK	I2S0_SDO	SDC_DET	PWMC0	PWM2
GPIO19	GPIO19	SPI2_DAT3	UART2_TXD	UART2_RXD	UART0_RTS	DMIC0_DAT	I2S0_SDI	SDC_WPR	PWMC1	PWM3
GPIO20	GPIO20	SPI1_SCK	UART3_RXD	UART3_TXD	I2C1_SCL	DMIC1_CLK	I2S1_SCK	SDC_DET	PWMC2	
GPIO21	GPIO21	SPI1_NSS	UART3_TXD	UART3_RXD	I2C1_SDA	DMIC1_DAT	I2S1_WS	SDC_WPR	PWMC3	
GPIO22	GPIO22	SPI1_DAT0			UART3_CTS	DMIC2_CLK	I2S1_SDO	SDC_DET	PWMC4	
GPIO23	GPIO23	SPI1_DAT1			UART3_RTS	DMIC2_DAT	I2S1_SDI	SDC_WPR	PWMC5	
GPIO24	GPIO24	SPI0_SCK	NOR0_SCK	SPI0_DAT1	NOR0_DAT1	SPI0_SCK	NOR0_SCK		FAC_DAT1	
GPIO25	GPIO25	SPI0_NSS	NOR0_NSS	SPI0_DAT0	NOR0_DAT0	SPI0_NSS	NOR0_NSS		FAC_DAT0	
GPIO26	GPIO26	SPI0_DAT0	NOR0_DAT0	SPI0_NSS	NOR0_NSS	SPI0_DAT0	NOR0_DAT0		FAC_NSS	
GPIO27	GPIO27	SPI0_DAT1	NOR0_DAT1	SPI0_SCK	NOR0_SCK	SPI0_DAT2	NOR0_DAT2		FAC_SCK	
GPIO28	GPIO28	SPI0_DAT2	NOR0_DAT2	SPI0_DAT3	NOR0_DAT3	SPI0_DAT1	NOR0_DAT1		FAC_DAT3	
GPIO29	GPIO29	SPI0_DAT3	NOR0_DAT3	SPI0_DAT2	NOR0_DAT2	SPI0_DAT3	NOR0_DAT3		FAC_DAT2	
GPIO30	GPIO30			UART0_TXD	I2C0_SCL	DMIC0_CLK	I2S0_SCK	SDC_CLK		PWM0
GPIO31	GPIO31			UART0_RXD	I2C0_SDA	DMIC0_DAT	I2S0_WS	SDC_CMD		PWM1
GPIO32	GPIO32	SPI0_SCK	NOR0_SCK			PSRAM_SCK		SDC_CLK	SPI1_SCK	PWM0
GPIO33	GPIO33	SPI0_NSS	NOR0_NSS			PSRAM_NSS		SDC_CMD	SPI1_NSS	PWM1
GPIO34	GPIO34	SPI0_DAT0	NOR0_DAT0	UART0_RXD	UART0_TXD	PSRAM_DAT0		SDC_DAT0	SPI1_DAT0	PWM2
GPIO35	GPIO35	SPI0_DAT1	NOR0_DAT1	UART0_TXD	UART0_RXD	PSRAM_DAT1		SDC_DAT1	SPI1_DAT1	PWM3
GPIO36	GPIO36	SPI0_DAT2	NOR0_DAT2	UART1_RXD	UART1_TXD	PSRAM_DAT2	I2C0_SDA	SDC_DAT2	SPI1_DAT2	PWM4
GPIO37	GPIO37	SPI0_DAT3	NOR0_DAT3	UART1_TXD	UART1_RXD	PSRAM_DAT3	I2C0_SCL	SDC_DAT3	SPI1_DAT3	PWM5
GPIO38	GPIO38			UART2_RXD	UART2_TXD	I2C1_SCL	I2C1_SDA		PWM0	PWM6
GPIO39	GPIO39			UART2_TXD	UART2_RXD	I2C1_SDA	I2C1_SCL		PWM1	PWM7

Channel	Function	Description
LRADC00	SPI000	通用 ADC
LRADC01	SPI001	通用 ADC
LRADC02	SPI002	通用 ADC
LRADC03	GPIO08	通用 ADC
LRADC04	GPIO09	通用 ADC
LRADC05	GPIO10	通用 ADC
LRADC06	GPIO11	通用 ADC
LRADC07	GMIC1	麦克风制式检测
LRADC08	GMIC0	麦克风制式检测
LRADC09	VRCM	LRADC 偏差测量
LRADC10	Thermal	温度传感器
LRADC11	MIC	音频麦克风检测